

Camlok
Lifting Clamps

CZ 'HEAVY DUTY' VERTICAL PLATE CLAMPS

Working load limit (WLL) 1000 - 30000kgs

These clamps are primarily used for transporting sheet metal and steel plates in the vertical position, as well as lifting and rotating through 180°.

They can also be used for transporting steel constructions and profiles. It is recommended to use a pair of plate clamps in conjunction with a spreader beam for long materials which have a tendency to sag or flex.

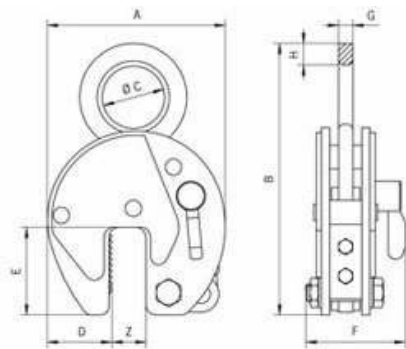
Function

The jaw is opened and closed with the locking lever. The safety lock spring loads the cam jaw, preventing the clamp from opening even when there is no load.

Workmanship and parts

These plate clamps are service-friendly, making it easy to exchange parts, which are readily available. Clamp repairs are available through the factory, or can be done by a competent person.

NB: The plate surface of the material must have a hardness level below HRC 30/Brinell 300.



PLEASE NOTE: Units are supplied as standard with a hook ring to 20t as above. Link fitting to 20t and link and chain to 6t as a special order. Also available with 'Sharp Leg' body shell or extra thick shell plates for dragging. Please contact sales team for further details and prices.

*Per clamp. **Weight per clamp with hook ring. ***Standard length of chain = 4-6 links.

Model	WLL kg*	Jaw (Z) capacity mm	A mm	B mm	C mm	D mm	E mm	F mm	G mm	H mm	Weight kg**
CZ 1	100 - 1000	0 - 20	140	254	51	48	70	83	13	19	4
CZ 2	200 - 2000	0 - 32	197	323	67	68	93	110	20	20	11
CZ 3	300 - 3000	0 - 32	197	371	80	68	93	110	20	30	12
CZ 3L	300 - 3000	30 - 60	228	390	80	68	93	110	20	30	15
CZ4	500 - 4000	0 - 32	197	371	80	68	93	129	20	30	12
CZ 4L	500 - 4000	30 - 60	228	390	80	68	93	129	20	30	18
CZ 6	700 - 6000	0 - 50	293	484	89	95	143	129	25	35	21
CZ 6L	700 - 6000	50 - 100	362	524	89	95	143	129	25	35	28
CZ 8	950 - 8000	0 - 50	293	492	89	95	143	129	25	42	26
CZ 8L	950 - 8000	50 - 100	362	524	89	114	143	129	25	42	32
CZ 10	1500 - 10000	0 - 50	293	545	110	95	143	139	25	45	30
CZ 10L	1500 - 10000	50 - 100	362	545	110	114	143	139	25	45	37
CZ 12	1800 - 12000	0 - 50	360	613	130	125	162	154	30	55	54
CZ 12L	1800 - 12000	50 - 100	460	678	130	175	162	154	30	55	63
CZ 15	3000 - 15000	0 - 50	360	613	130	125	162	204	45	55	75
CZ 15L	3000 - 15000	50 - 100	460	678	130	175	162	204	45	55	88
CZ 20	4000 - 20000	0 - 65	462	755	130	165	210	235	45	65	123
CZ 20L	4000 - 20000	65 - 130	560	805	130	195	210	235	45	65	136
CZ 30	6000 - 30000	0 - 65	462	732	60	165	210	295	65	-	195
CZ 30L	6000 - 30000	65 - 130	560	797	60	195	210	295	65	-	295

dlhonline.co.uk

0161 223 1990

DLHONLINE Division of Dale Group of Companies Dale Lifting and Handling Specialists
2 Kelbrook Road Manchester M11 2QA Website www.dlhonline.co.uk Email sales@dale-lifting.co.uk

PLEASE NOTE: Units are supplied as standard with a hook ring. Link fitting and chain are available on request as a special order. Also available with 'Sharp Leg' body shell or extra thick shell plates for dragging. Please contact sales team for further details and prices. *Per clamp. **Weight per clamp with hook ring. ***Standard length of chain = 4-6 links.

[← CATALOGUE](#) [← DOWNLOAD IMAGE](#) [← PRINT PAGE](#)



© 2017 Columbus McKinnon Corporation All rights reserved [Privacy Policy](#)

[HOME](#) [ABOUT CAMLOK](#) [PRODUCTS](#) [CAMLOK SAFETY](#) [LIBRARY](#) [NEWS/MEDIA](#) [CONTACT US](#)





