

**Camlok®**  
Lifting Clamps

## HG 'HIGH GRIP' VERTICAL PLATE CLAMPS

**Designed for hardened material.**

**Working load limit (WLL) 500 - 4000kgs**

HG plate clamps have an extremely high clamping force which makes the clamps particularly suited to the transport of plate with a surface hardness up to HRC 40/Brinell 375.

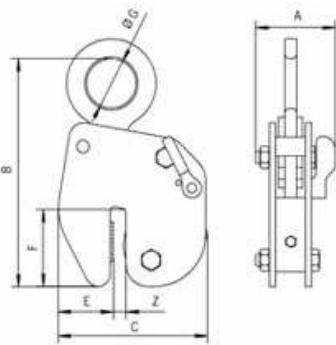
### Function

These clamps are opened and closed with a locking lever. The safety lock spring loads the cam jaw, preventing the clamp from opening even when there is no load.

### Workmanship and parts

These plate clamps are service-friendly, making it easy to exchange parts, which are readily available. Clamp repairs are available through the factory, or can be done by a competent person.

**NB: The plate surface of the material must have a hardness level below HRC 30/Brinell 300.**



Model	WLL kg*	Jaw (Z) capacity mm	A mm	B mm	C mm	D mm	E mm	F mm	G mm	Weight kg**
HG500	25 - 500	0 - 10	42	230	148	10	55	79	50	5
HG1000	50 - 1000	0 - 16	93	297	210	16	75	114	67	12
HG2000	200 - 2000	0 - 20	110	416	305	20	102	159	80	22

\*Per clamp. \*\*Weight per clamp.



**dlhonline.co.uk**

**0161 223 1990**

DLHONLINE Division of Dale Group of Companies Dale Lifting and Handling Specialists  
2 Kelbrook Road Manchester M11 2QA Website [www.dlhonline.co.uk](http://www.dlhonline.co.uk) Email [sales@dale-lifting.co.uk](mailto:sales@dale-lifting.co.uk)



---

DLHONLINE Division of Dale Group of Companies Dale Lifting and Handling Specialists  
2 Kelbrook Road Manchester M11 2QA Website [www.dlhonline.co.uk](http://www.dlhonline.co.uk) Email [sales@dale-lifting.co.uk](mailto:sales@dale-lifting.co.uk)  
Tel 0161 223 1990 Fax 0161 223 6767

---