

DRUM STACKER

Operation Manual

Type: DA40A/B



DA40A

DA40B



DALE

Lifting and Handling Specialists
2 Kelbrook Road, Manchester M11 2QA
Website: dlhonline.co.uk

Tel: 0161 223 1990 - Email: sales@dale-lifting.co.uk

NOTE: Owner and operator must read and understand this instruction manual before operation.

THANK YOU FOR USING THIS DRUM STACKER. FOR YOUR SAFETY AND CORRECT OPERATION, PLEASE CAREFULLY READ THIS INSTRUCTION BEFORE USING IT. ONLY THOSE WHO HAVE BEEN TRAINED AND AUTHORIZED CAN OPERATE THIS DRUM STACKER.

NOTE: All of the information reported herein is based on data available at the moment of printing. The factory reserves the right to modify its own products at any moment without notice and incurring in any sanction. So it is suggested to always verify possible updates.

1 Safety Rules

Warning: Infringe the safety rules and operation instructions in this manual may cause serious injuries or even death.

1.1 It is forbidden to operate this machine unless:

1) You have learned and obeyed all the safety rules in this manual.

- Avoid causing personal accident.
- Always make a check before operation.
- Make functional test before use.
- Check the working place.
- Only use it to convey, lift, revolve and tilt the drum.

2) You read, understand and obey

- Guides and safety rules of the manufacturer
- Safety rules of workers and regulations of working place
- Proper government ordinances

1.2 You should obey the following rules to avoid causing personal accident:

- It is forbidden to use it as a platform or ladder to lift persons.
- Only use it to convey, lift, revolve and tilt the drum.
- Only use it on a firm and level ground.
- Check for drop-offs, pits, barriers, debris, unstable ground and other dangerous conditions at the working place before the operation.
- It is forbidden to bear the machine or the drum of horizontal force during the operation process.
- Collision injury
 - Check whether there are some barriers or other possible dangers at the top of working place.
 - It is forbidden for the operator or other persons to stand under the machine when lifting or tilting the drum.
 - It is forbidden to lower the load unless there is no person or barrier under the load.
- Personal accident

Always keep your hands, feet and other body parts away from the clamping points, sliding guide or other pressure points.
- Injury caused by misuse

It is forbidden to lift or transport the load unless all clamps have fixed the drum firmly.
Lift or lower the load at a uniform speed and slowly. Sudden start or stop is forbidden.
Faulty methods of operating the machine may cause accidents
- Injury caused by machine fault

Never operate a faulty or damaged machine.
Make a thorough check before the operation every time.
Make sure all the markings are intact and correct.
Keep normal maintenance on the head parts of the clamps.

2 Checks Before Operation

Operator should make visual check on the machine before every shift work.

2.1 Make sure the operation manual is a complete and effective edition.

2.2 Make sure all the markings are intact, correct and properly affixed.

2.3 Check the following parts whether they are damaged or improper installed or have some parts loosen and lost.

- Hydraulic system and relative parts
- Clamping parts
- Front & rear wheels
- Carriage
- Nuts, bolts and other fastening parts

2.4 check the machine on:

- Impression or damage
- Clamping parts wearing or damage
- Corrosion or oxidation
- Welding seams or cracks

3 Functional Test

Operators must make functional tests on drum stackers of different kinds of functions. Only when the tests are eligible, can they be put into service.

DALE

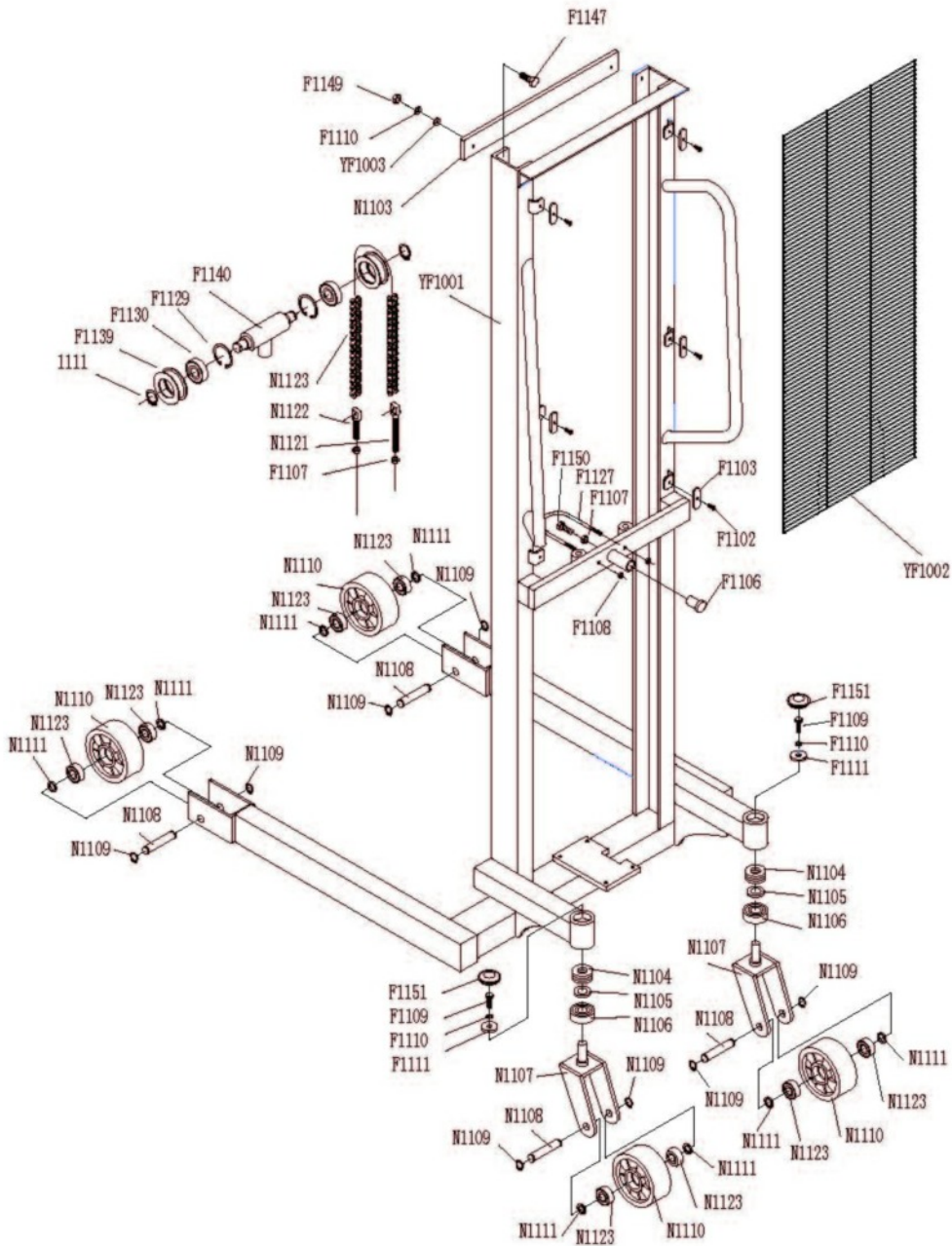
Lifting and Handling Specialists
2 Kelbrook Road, Manchester M11 2QA

Website: dlhonline.co.uk

Tel: 0161 223 1990 - Email: sales@dale-lifting.co.uk

4 Exploded View & Part List

Type: DA40A
Carriage assembly

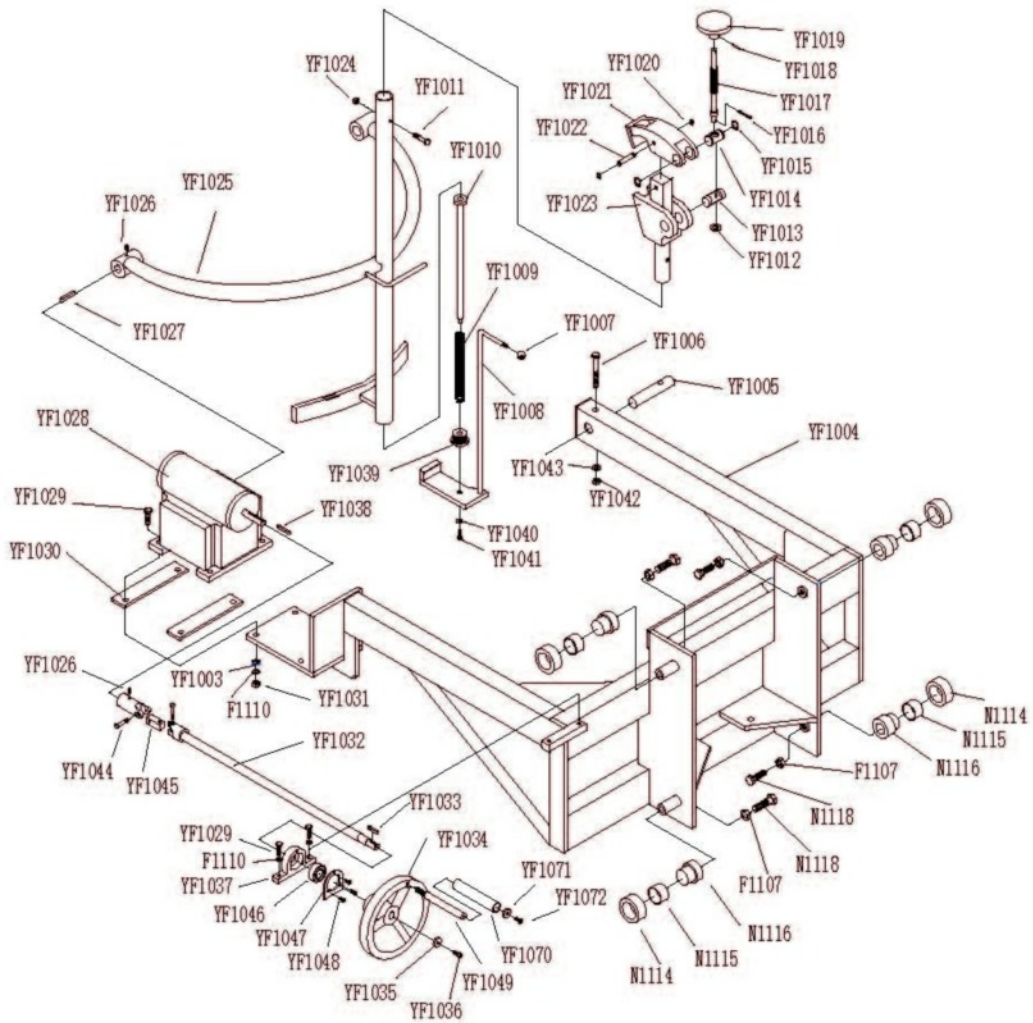


DALE

Lifting and Handling Specialists
2 Kelbrook Road, Manchester M11 2QA
Website: dlhonline.co.uk

Tel: 0161 223 1990 - Email: sales@dale-lifting.co.uk

Sliding guide assembly



DALE

Lifting and Handling Specialists
2 Kelbrook Road, Manchester M11 2QA

Website: dlhonline.co.uk

Tel: 0161 223 1990 - Email: sales@dale-lifting.co.uk

Part No.	Description	Qty	Part No.	Description	Qty
YF1001	Carriage	1	YF1045	Joint	1
YF1002	Net	1	YF1046	Bearing	1
YF1003	Washer	14	YF1047	Cover plate	1
YF1004	Sliding guide assembly	1	YF1048	Screw	1
YF1005	Supporting axle	1	YF1049	Handle axle	1
YF1006	Bolt	1	YF1070	Cover	1
YF1007	Ball	1	YF1071	Washer	1
YF1008	Joystick	1	YF1072	Screw	1
YF1009	Spring	1	N1103	Stop plate	1
YF1010	Top axle assembly	1	N1104	Bearing 8304	2
YF1011	Bolt	1	N1105	Spacing ring	2
YF1012	Washer	2	N1106	Bearing 60304	2
YF1013	Supporting axle	1	N1107	Rear wheel bracket	2
YF1014	Nut axle	1	N1108	Rear wheel axle	4
YF1015	Check ring	2	N1109	Check ring	8
YF1016	Split pin	1	N1110	Rear wheel	2
YF1017	Screw rod Tr16×4	1	N1111	Washer	8
YF1018	Taper bolt	1	N1114	Pulley	4
YF1019	Hand wheel	1	N1115	Pulley bush	4
YF1020	Check ring	2	N1116	Shaft housing	4
YF1021	Upper clamp	1	N1118	Bolt	4
YF1022	Pin axle	1	N1121	Bolt M12	2
YF1023	Lower clamp	1	N1122	Bolt M12x52	2
YF1024	Locknut	1	N1123	Roller chain 10A-1x73	2
YF1025	Rotating stand	1	F1102	Screw	6
YF1026	Screw	2	F1103	Spacing piece	6
YF1027	Flat key	1	F1106	Rubber pad	1
YF1028	Transmission	1	F1107	Nut	9
YF1029	Bolt	6	F1108	Locknut	2
YF1030	Plate	2	F1109	Bolt	2
YF1031	Nut	4	F1110	Gasket	4
YF1032	Handwheel axle	1	F1111	Washer	2
YF1033	Flat key	1	F1123	Bearing 80204	8
YF1034	Hand wheel	1	F1127	U-bolt	1
YF1035	Gasket	1	F1129	Check ring	2
YF1036	Screw	1	F1130	Bearing 80305	2
YF1037	Seat	1	F1139	Chain roller	2
YF1038	Flat key	1	F1140	Chain roller bracket	1
YF1039	Sealing screw	1	F1147	Bolt	2
YF1040	Gasket	1	F1149	Nut	2
YF1041	Screw	1	F1150	Bolt	1
YF1042	Locknut	1	F1151	Dust cap	2
YF1043	Washer	1	1111	Check ring	2
YF1044	Pin axle	2			

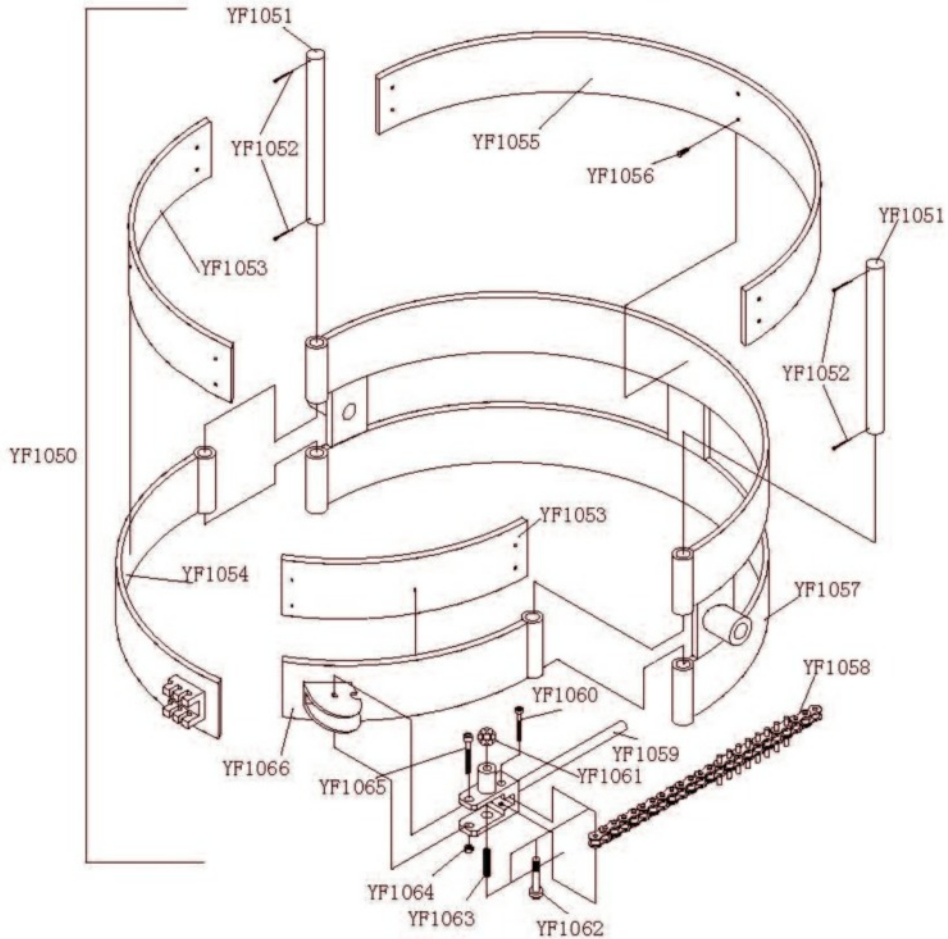
Type: DA40B

Carriage assembly

See carriage assembly of DA40A.

Notes: The structure of DA40B carriage assembly is the same as DA40A. You can refer to contents of DA40A above.

Sliding guide assembly



Part					Qty
YF1051	Pin axle	2	YF1059	Clamping rod	1
YF1052	Split pin 2.5×22	4	YF1060	Screw M5×40	1
YF1053	Small pad	2	YF1061	Ball M8×25	1
YF1054	Right movable arm	1	YF1062	Locating pin	1
YF1055	Big pad	2	YF1063	Spring	1
YF1056	Screw M5×12	22	YF1064	Locknut	1
YF1057	Fixed arm	1	YF1065	Screw M5×12	1
YF1058	Chain 10A-1×12	1	YF1066	Left movable arm	1

DALE

Lifting and Handling Specialists
2 Kelbrook Road, Manchester M11 2QA
Website: dlhonline.co.uk
Tel: 0161 223 1990 - Email: sales@dale-lifting.co.uk