

Theatre hand winches

Description of the winch

300 kg

The theatre winch is a high-quality and also safe winch that has been specially developed for the theatre and entertainment industry.

This winch complies with the new standards for this sector, namely EN17206, and is therefore new in our range. In short, it's a great addition for Gebuwin, which literally and figuratively has the right to be "In The Picture".

Product specifications

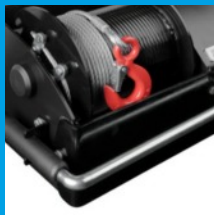
- Compliant to the EN17206 norm for stage and entertainment industry
 - Static safety factor 8
 - The worm gear transmission has a natural braking effect
 - Closed gearbox to prevent accidents
 - Grooved drum for single-layer storage of wire rope
 - Two load pressure brakes with double ratchet system for safe stable hold of the load in any position
 - Equipped with a spring loaded pressure roller for smooth winding on the drum
 - Right angled, easy to grease worm transmission and maintenance free bearings
 - Cable outlet upwards and downwards
 - Double wire rope fastening for extra safety
 - Adjustable and secured crank with ergonomic grip
- suitable for wall mounting
simple and quick attachment
paint thickness is 60 - 80 micron in 1 layer and in compliance with

Options (code)

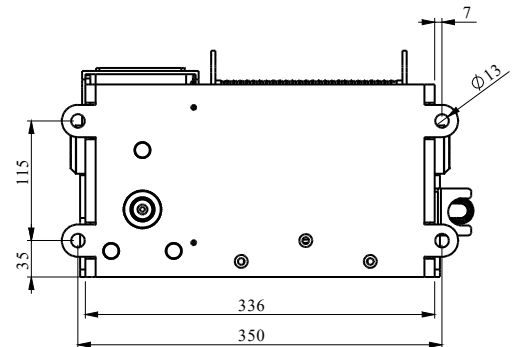
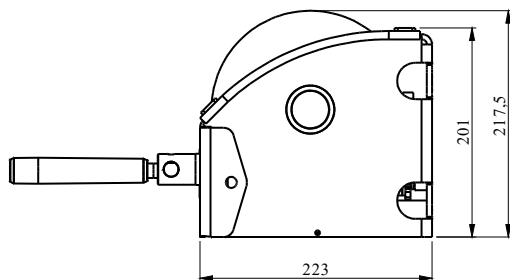
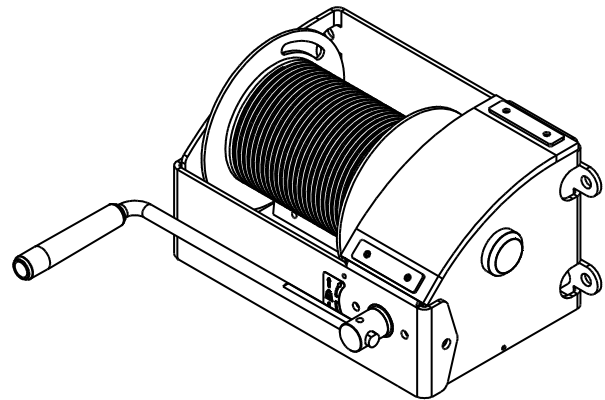
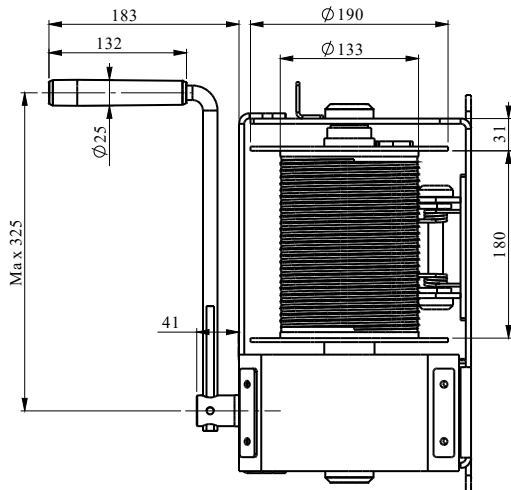
- 2 drum compartment (2D)
- Larger drum to store more rope

Accessories

- steel or stainless steel wire rope
- pulley block



Technical specifications TW300



Technical specifications	Unit	TW300	TW300L
Capacity 1st layer	kg	300	300
Rope diameter- \varnothing	mm	6	6
Rope storage 1st layer	m	10	20
Lift per crank rotation	mm	38	38
Crank effort at full load	daN	15	15
Weight (without rope)	kg	21	25
Article number	No.	77281340	77281341

NEED A QUOTE?


If you would like a quote, please fill out this e-form request.~ Complete, save and email to sales@dale-lifting.co.uk

Name	
Company	
Address	
Telephone No.	
Email address	
Delivery address if different	
Notes	

Theatre Hand winch	
Winch model required	Quantity
77281340 TW300* 300 kg	
77281341 TW300 L** 300 kg	

* standard drum capacity 10 metres on first layer.

**TW/L has 20 metres on first layer

Optional 2 compartment drum	
	Tick box to add to quote



TW 6 mm dia Winch rope		
Construction and end fitting	Enter Length required	Enter quantity required
19x7 Galvanised with thimble eye & hook		
19x7 Galvanised with thimble eye		
7x19 Stainless steel with thimble eye & hook		
7x19 Stainless steel with thimble eye		

77001710 KB300 - 300 kg Pulley block	Option SST316 Stainless steel
Enter quantity required.	Enter quantity required.

Pulley blocks are cast iron with bearings. Used to guide rope or change direction to the location of the load. You may need to add rope length for the distance between the winch and pulley(s) to the load lifting distance if above winch drum storage capacity